

Autogas Series

Regenerative Turbine Coro-Flo[®] Pumps

For High Differential Pressure Applications Using
LPG and Other Liquefied Gases



Solutions beyond products...



CORKEN[®]

IDEX



A Tradition of Excellence

Corken, Inc. is recognized as a world leader in the manufacture of LPG pumps and compressors. Corken's exceptional reputation in the LPG industry is built upon decades of maintaining the highest quality and customer service standards. This, combined with an absolute dedication to product performance, makes Corken a company recognized worldwide for its manufacturing leadership.

Located in Oklahoma City, Oklahoma, USA, Corken was founded in 1924 and quickly gained a reputation for excellence in customer service. In 1951, Corken entered the Liquefied Petroleum Gas (LPG) industry, introducing its first regenerative turbine pump. In the years to follow, Corken quickly gained market recognition for its quality line of pumps and compressors for the propane, butane and anhydrous ammonia industries.

In 1991, Corken became part of the IDEX Corporation, a manufacturer of proprietary fluid handling and industrial products that are recognized as market leaders. Through the years, a total commitment to customer service, product integrity and a strong dedication to technological innovation have made Corken recognized as a leader in the compressor and pump markets.



Corken designs and manufactures products meeting industry standards, including Underwriters' Laboratories (UL), Canadian Standards Association (CSA), High Pressure Gas Safety Institute of Japan (KHK), Bureau Veritas of France, Main Inspectorate of Railway Technical Supervision of Poland and many others. Corken is proud to join the elite group of companies that have achieved registration with the International Quality Standard ISO 9001 and the Environmental Management Standard ISO 14001.

Today, Corken is a diversified company that serves a worldwide customer base. Corken truck pumps, stationary pumps, compressors and engineered packages are used by a wide range of companies throughout the world, including the Far East, Asia, Africa, Europe, the Middle East, South America and North America. Corken serves each of its customers through an extensive network of distributors—each sharing the same commitment to customer service that Corken has demonstrated for more than 80 years.



QUALITY
ISO 9001
SYSTEM

ENVIRONMENTAL
ISO 14001
MANAGEMENT
SYSTEM

A Cost Effective Alternative to Submersible Designs

Meeting Global Demands for Autogas Applications...

In our continuous effort to meet the global demands by underground and aboveground tank applications, the autogas series is now available in two sizes. The model 075 is designed for one dual hose dispenser while the model 150 is designed for two dual hose dispensers. Whether you require a low or high flow rate with a high differential pressure, Corken has the pump for your application.

Continuous Duty Design...

Built for continuous duty service, the autogas series incorporates heavy duty bearings, free floating impeller, a single mechanical seal, ANSI or DIN flange connections, metric fasteners, and a ductile iron case.

Multiple Mounting Options...

The autogas series is available with two mounting options. You may select a frame mount for direct or belt drive configurations or a direct mount that bolts to a standard C-Face 50 Hz (2880 RPM) or 60 Hz (3450 RPM) motor.

Serviceability is Simple and Cost Effective...

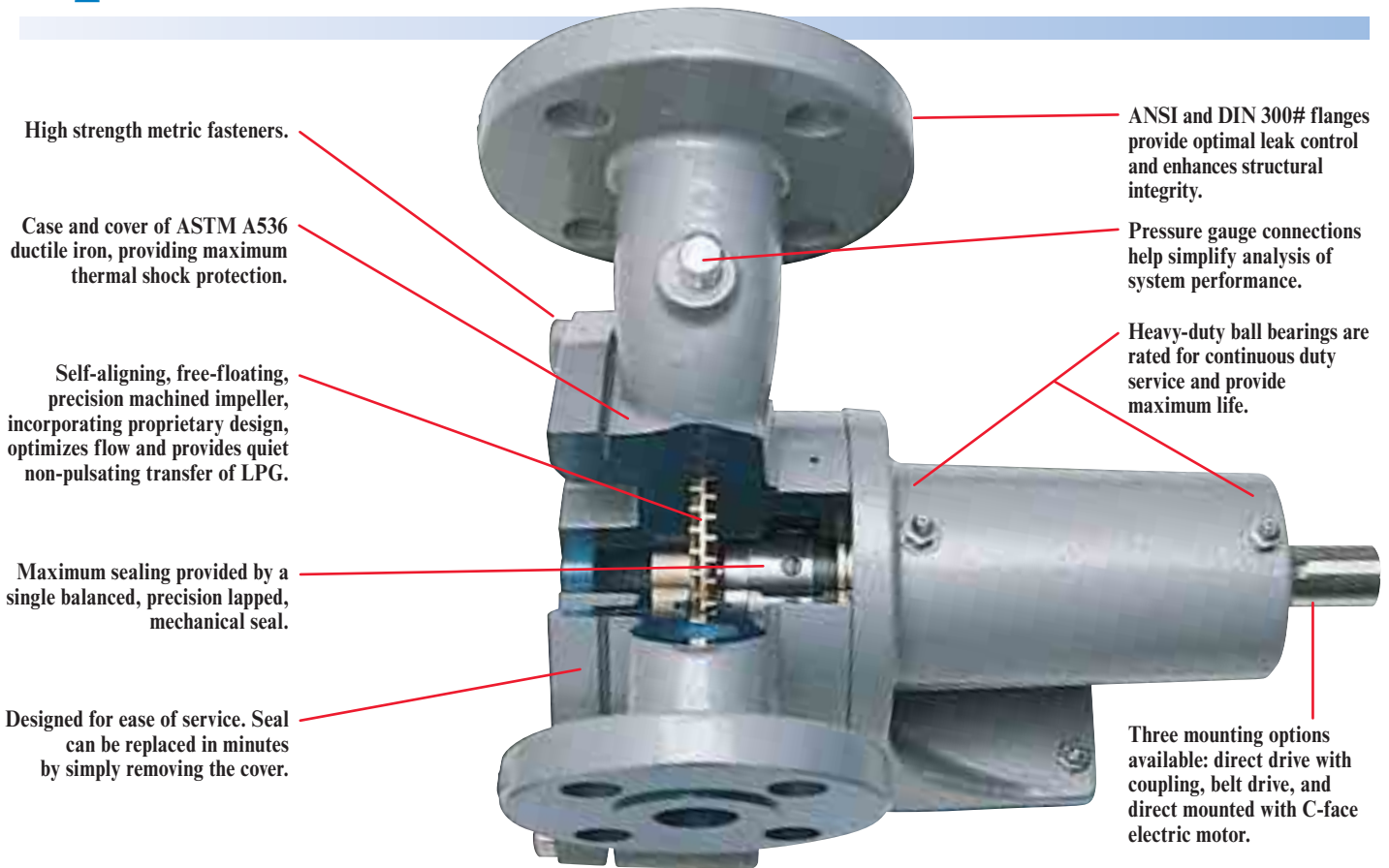
Unlike submersible designs, the autogas series is mounted aboveground so there is no need to disturb the piping. All parts are easily accessed by simply removing the pump head. This feature allows you to quickly service the pump on site and minimize costly downtime thereby making the autogas series a cost effective alternative to submersible designs.



Coro-Flo® Autogas pumps are the new standard for autogas delivery.

- Suitable for single or dual hose dispensers and multiple dispensers
- Heavy duty bearings
- Single mechanical seal
- Floating impeller
- Continuous duty capability
- Ductile iron case
- ANSI or DIN flanges
- Metric fasteners
- Replace seal in minutes
- Three mounting options
- Designed for 50 and 60 Hz

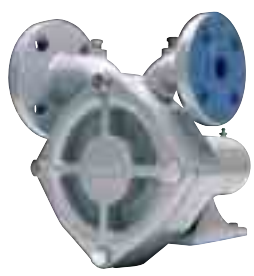
Features, Benefits, and Specifications



Specification	All Corco-Flo® 075 and 150 Models
Inlet	1-1/2" - ANSI 300# R.F. flange (DIN optional)
Outlet	1" - ANSI 300# R.F. flange (DIN optional)
RPM	3450 @ 60 Hz or 2880 @ 50 Hz
Max. working pressure	27.6 bar (400 psig)
Max. differential pressure	Model 075: 10.3 bar (150 psig) Model 150: 17.2 bar (250 psig)
Max./min. temperature	107°C (225°F) / -32°C (-25°F)
Impeller material	Bronze (standard)
O-ring material	Buna-N (standard)
Seal seat material	Silicon carbide (standard)
Maximum driver	15 kW (20 hp)
Type of electric motor*	Rigid-base (frame mount) and C-face (direct mount)

- Applications:**
- Autogas dispensing
 - Cylinder filling
 - Vaporizer feed
 - Bulk transfer
 - Direct burner feed
 - Aerosol propellant

* Consult factory regarding other types of motors.



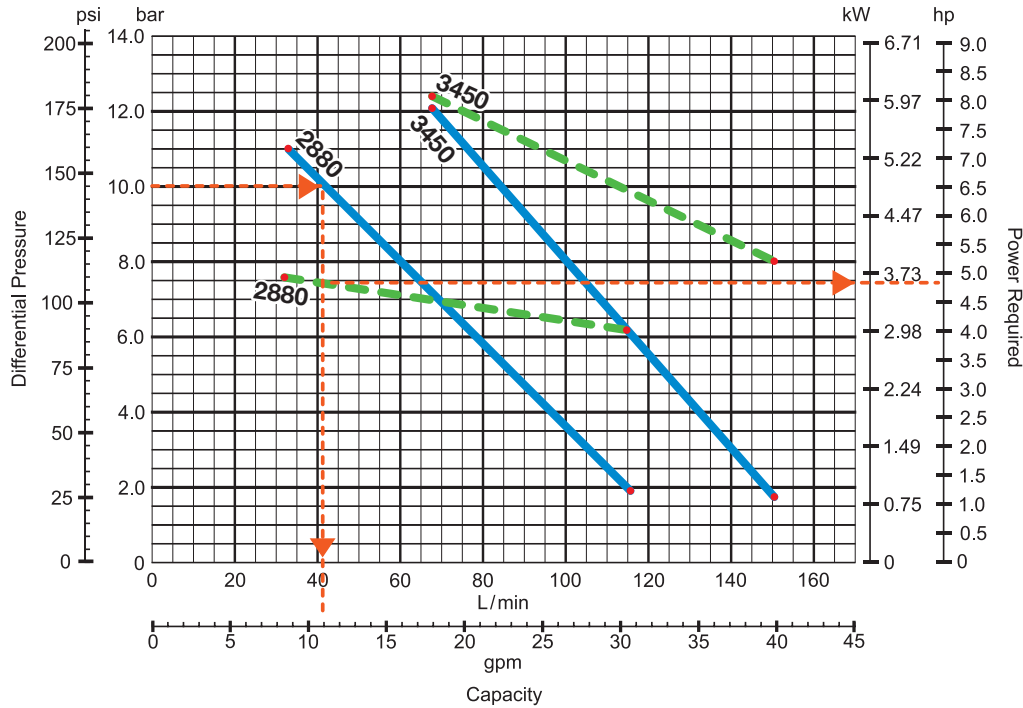
Frame Mount



Direct Mount

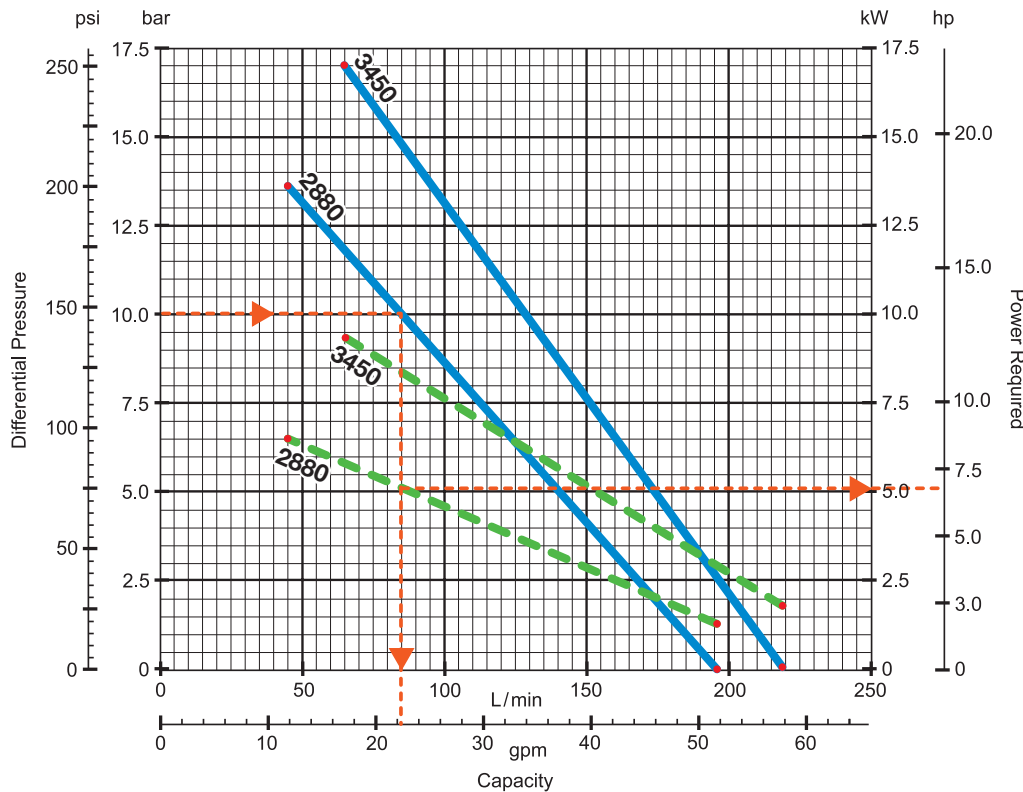
Autogas Series Performance

Performance Curves for 075-Model Coro-Flo® Pumps¹



2880 RPM @ 50 Hz	
Differential pressure:	
10.0 bar	
145.0 psi	
Flow:	
42 L/min	
11 gpm	
Power required:	
3.65 kW	
4.9 hp	
Curves based on LPG ¹	
Capacity	
Power required	

Performance Curves for 150-Model Coro-Flo® Pumps¹



2880 RPM @ 60 Hz	
Differential pressure:	
10.0 bar	
145.0 psi	
Flow:	
85 L/min	
22.5 gpm	
Power required:	
5.59 kW	
7.5 hp	
Curves based on LPG ¹	
Capacity	
Power required	

¹ The performance curves are based on aboveground LPG installations. Performance curves for underground LPG tanks will vary based on the specific installation. Consult factory.

Designed for Underground and Aboveground Tank Applications



Aboveground autogas installation using one autogas series pump with two tanks.



Aboveground autogas installation using one autogas series pump with three tanks.



Underground autogas installation with one tank. Corken's autogas series pump replaced a previously installed submersible design.



A Cost Effective Alternative to Submersible Designs



Underground autogas installation using one autogas series pump with one tank.



Underground autogas installation using one autogas series pump with two tanks.



Underground autogas installation using one autogas series pump with one tank.





CORKEN, INC. • A Unit of IDEX Corporation

3805 N.W. 36th St., Oklahoma City, OK 73112
(405) 946-5576 • FAX (405) 948-7343

Visit our website at <http://www.corken.com>
e-mail us at info.corken@idexcorp.com